



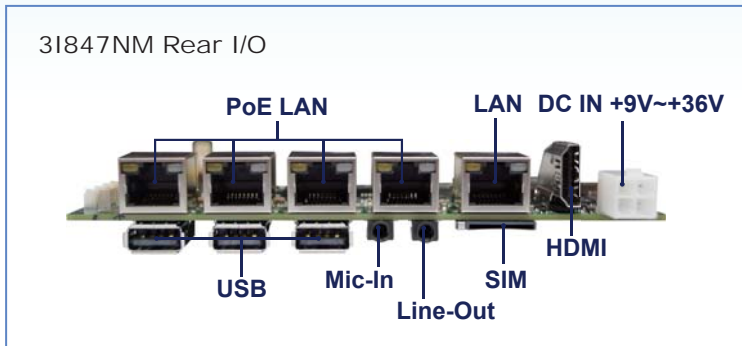
## 31847NM/NX/D Series

Intel® Ivy Bridge 1047UE/i3/i7 CPU, 3.5" SBC,  
On board DDR3 ,VGA , HDMI & LVDS  
1 x Gb Intel Ethernet, 4 x PoE LAN ports,  
2 x Mini PCIe, 7 x USB, 2 x COM

### Features

- Embedded Intel® Ivy Bridge 1047 UE 1.4GHz/i3/i7 CPU +Intel Cougar Point (PCH) HM76,
- on board DDR3 4 Gb,
- Display: VGA, HDMI & LVDS
- 4 x PoE LAN, 2 x Mini PCIe
- 1 x Intel GbE LAN, 7 x USB , HD audio , 2 x COM

### Back Panel



### Specification:

MODEL	31874NM / 31874NX / 31874D
CPU Type	Intel Ivy Bridge Celeron 1047UE 1.4 GHz ; Support i3 / i7 CPU
MB Chipset	Intel Panther Point (PCH) HM76
BIOS	AMI BIOS
Graphics	Intel Mobile Ivy Bridge 1047UE Processor Integrated Graphics DirectX* Video Acceleration (DXVA) support for accelerating video processing; Display Interface: CRT, HDMI & LVDS
System Memory	On board DDR3 2GB / 4GB
SATA	2 x SATA ports
Audio	High Definition Audio Specification, Support Line-out, Mic-in for 31847NM/NX ; optional for 31847D
LAN	1 x Intel 10 / 100 / 1000 Mbps ; 4 x PoE LAN for 31847NM/NX 5 x Intel GbE FOR 31847D
LVDS/Touch Screen	Dual Ch 18 / 24 Bit LVDS ; USB touch screen controller for 31847NM/NX
IO Function	2 x Internal COM port (1 x RS232 ; 1 x RS485 )
USB	( 2 x USB 2.0 internal ) 7 x USB ( 2 x USB 3.0 internal ) ( 3 x USB 2.0 external )
HDMI	1 x HDMI 1.3a (Type A 19 Pin )
SIM card	1 x SIM card socket (Option to mini card PCIe)
DIO & WDT	Hardware digital Input & Output,8 x DI / 8 x DO Hardware Watch Dog Timer, 0~255 sec programmable for 31847NM / NX ; optional for 31847D
Expansion Interface	2 x PCIe Mini Card for PCIe or mSATA and USB interface
Power	Wide Range DC IN +9V~+36V, CPC-Car Power Control for 31847NM Wide Range DC IN +9V~+36V for 31847NX, On board DC IN +12V for 31847D
Dimension	145 x 102 mm (3.5 inch)
Operation Temperature	-20°C ~ 60°C
Operation Humidity	5 ~ 95%, non-condensing
Expansion	GPS, IEEE1394, 3G, Bluetooth, WI-FI, I/O
Chassis	Twitter, Tiger for 31847NM/D/NX Panel PC for 31847NM/NX