



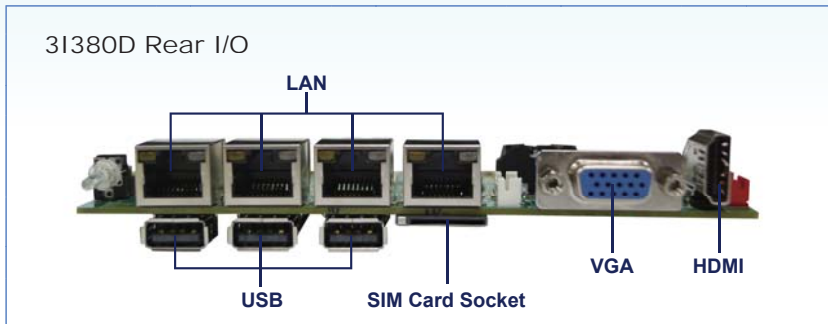
31380D Series

Intel® Bay Trail-I E3815 / Bay Trail-D J1900 CPU, 3.5" SBC,
On Board or SODIMM DDR3L Memory, VGA/COM, HDMI,
4 x Intel Gb Ethernet, 2 x Mini PCIe,
1 x SIM card socket, 7 x USB

Features

- Embedded Intel® Bay Trail-I E3815 / Bay Trail-D J1900 CPU / chipset
- On Board 2G or SODIMM DDR3L
- Multiple Independent display: VGA & HDMI
- 4 x Intel I210AT GbE LAN, 1 x USB 3.0, 6 x USB 2.0, COM
- 2 x Mini PCIe, HD Audio
- 1 x SIM card socket (Optional with Mirco SD)

Back Panel



Specification:

MODEL	31380D
CPU Type	Bay Trail-I E3815 1.46GHz (Single core processor) Bay Trail-D J1900 2.0GHz (Burst to 2.41GHz) (Quad Core)
MB Chipset	Intel Bay Trail-I E3815 / Bay Trail-D J1900 chipset
BIOS	Insyde UEFI BIOS
Graphics	Intel's 7th generation (Gen 7) graphics and media encode/decode engine, Supports DX*11, OpenGL 3.0 (OGL 3.0), OpenCL 1.2 (OCL 1.2), OpenGLES 2.0
System Memory	Onboard DDR3L 2GB for E3815 / DDR3L SODIMM for J1900
NAND flash memory	On board SSD 4/8/16/32 GBytes (optional)
SATA	1x SATA ports 2.0 Data transfer rates up to 3.0 Gb/s (300 MB/s) 1x mini card socket for mSATA
Audio	High Definition Audio Specification, Support Line-out / Mic-in / Line - in
LAN	4 x Intel I210AT 10 / 100 / 1000 Mbps
IO Function	2 x RS232/485 (internal-COM1 can be external ; --optional with VGA connector)
USB	1 x USB 3.0 (internal) ; 3 x USB 2.0 (external) ; 3 x USB 2.0 (internal) ; 2 x share with mini card)
HDMI	1 x HDMI 1.3a (Type A 19 Pin)
DIO & WDT	Hardware digital Input & Output, 4 x DI / 4 x DO Hardware Watch Dog Timer, 0~255 sec programmable
Expansion Interface	1x PCIe Mini Card (USB + PCIe + SIM card) 1x PCIe Mini Card (USB + mSATA Gen II)
Power	DC-IN +12V
Dimension	146 x 102 mm (3.5 inch)
Operation Temperature	-20°C ~ 60 °C
Operation Humidity	5 ~ 95%, non-condensing