

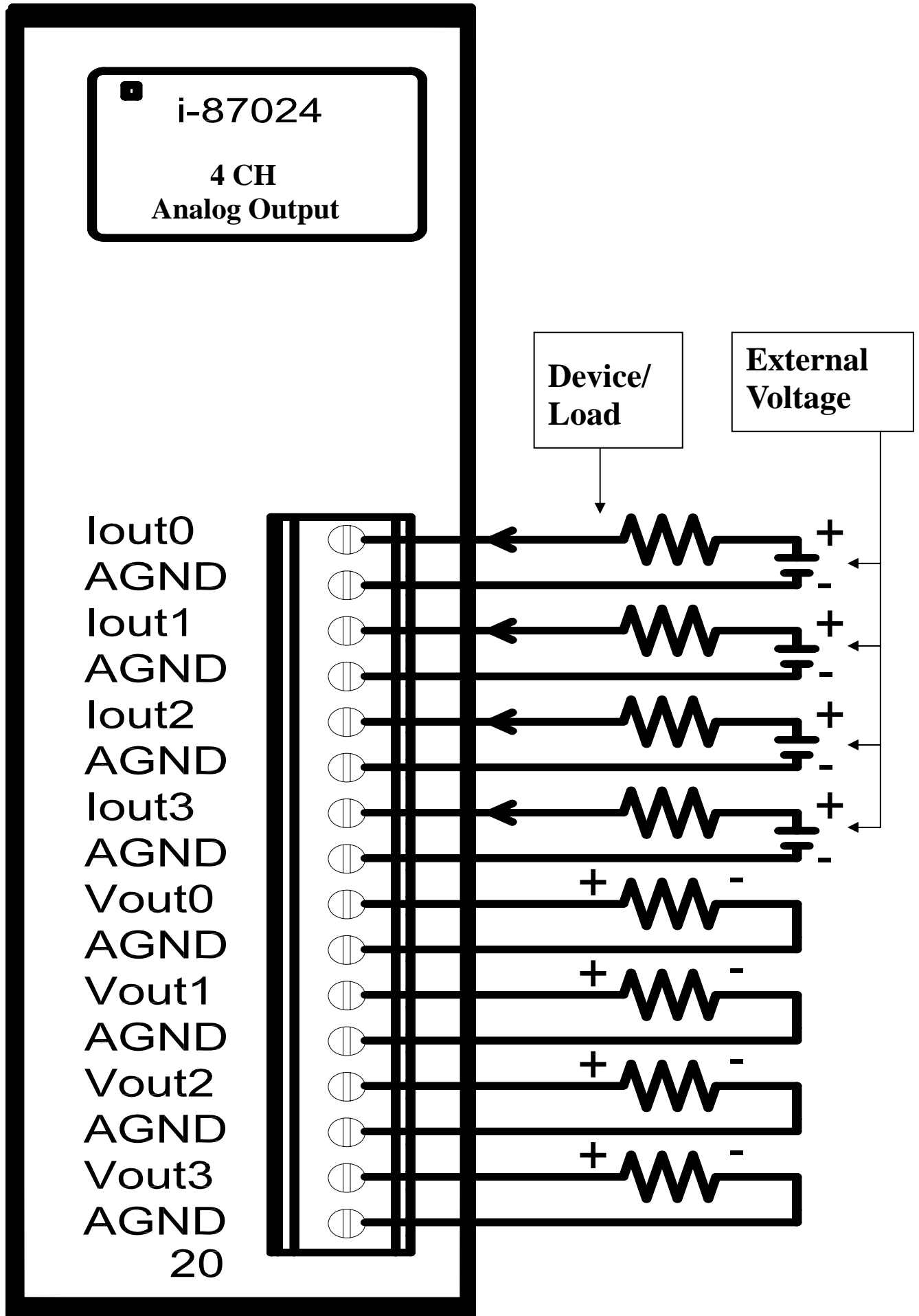
# I-87024 Hardware User Guide *Ver 1.2*

Last Modified 05/07/2007

## *I-87024 Specifications*

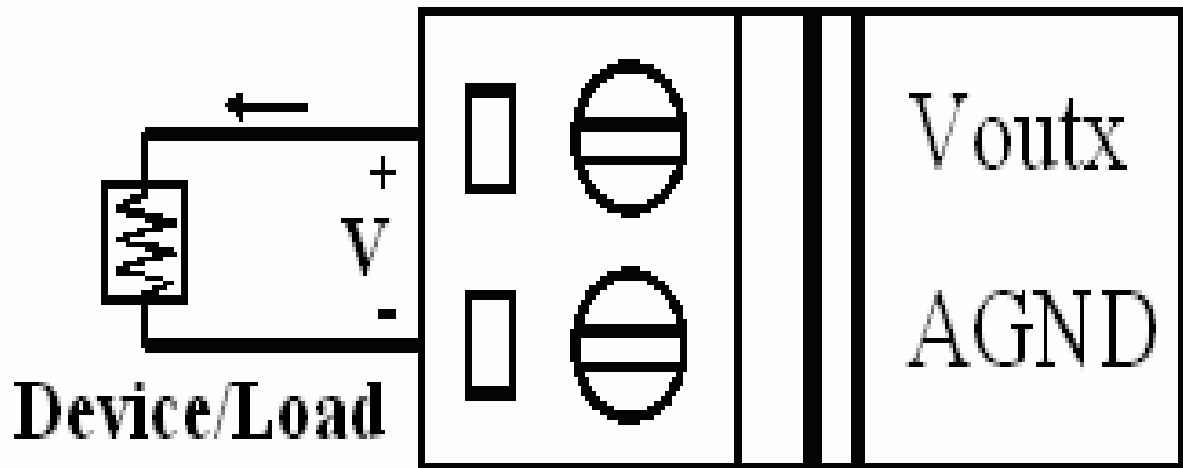
<b>Analog Output Module</b>	
<b><i>Output Channel</i></b>	<b><i>4 channels</i></b>
<b><i>Output Type</i></b>	<b><i>V, mA</i></b>
<b><i>Accuracy</i></b>	<b><i>±0.1% of FSR</i></b>
<b><i>Resolution</i></b>	<b><i>±0.02% of FSR</i></b>
<b><i>Zero Drift</i></b>	<b><i>Voltage: ±30μV/°C</i></b> <b><i>Current: ±0.2μA/°C</i></b>
<b><i>Span Temperature Coefficient</i></b>	<b><i>±20ppm/°C</i></b>
<b><i>Programmable Output Slope</i></b>	<b><i>Voltage: 0.0625 to 1024V/Second</i></b> <b><i>Current :0.125 to 2048mA/Second</i></b>
<b><i>Voltage Output Driver</i></b>	<b><i>10V@20mA max.</i></b>
<b><i>Current Load Capability with 24V external voltage</i></b>	<b><i>1050 Ohms max.</i></b>
<b><i>Isolation Voltage</i></b>	<b><i>3000VDC</i></b>
<b><i>Power Consumption</i></b>	<b><i>4W Max</i></b>

# I-87024 Wire Connection

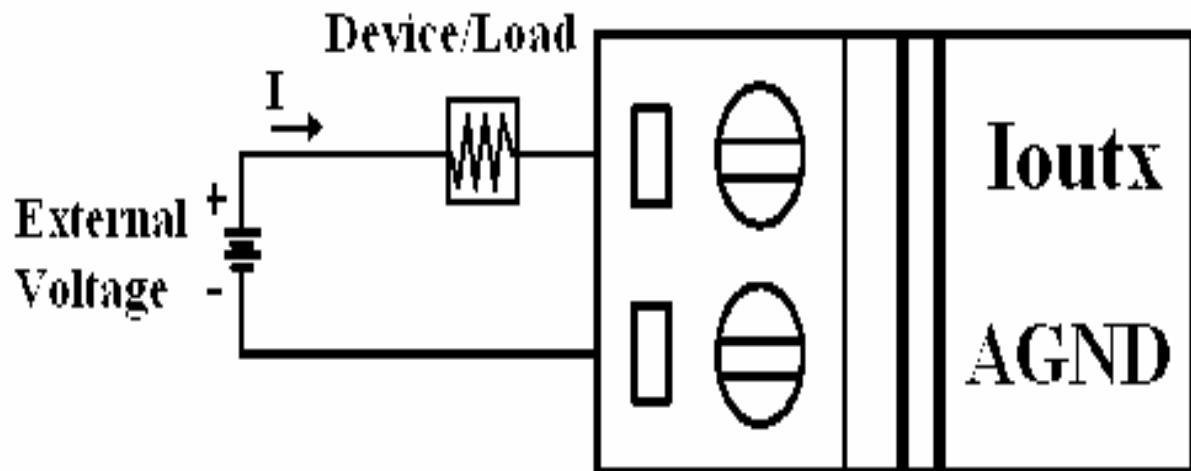


# *I-87024 Wire Connection Type*

## *Voltage Output Wiring*



## *Current Output Wiring*



# I-87024 Internal I/O Structure

