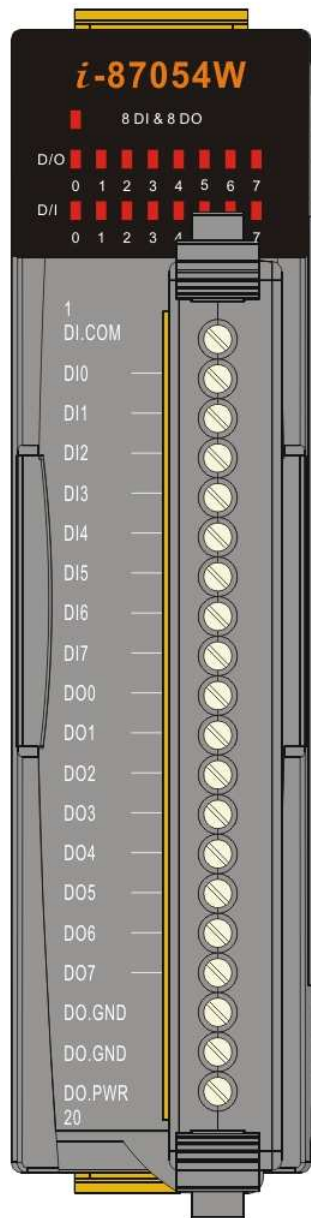


I-87054W Specifications

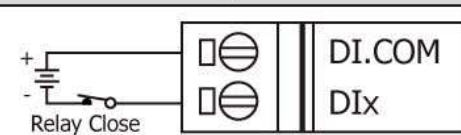
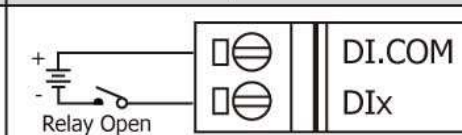
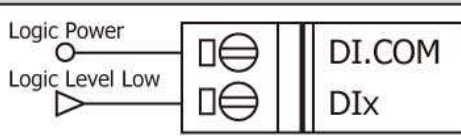
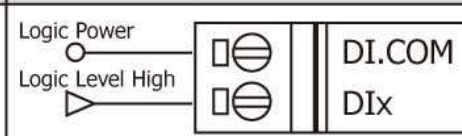
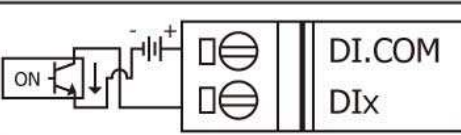
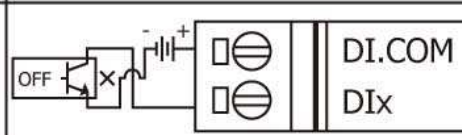
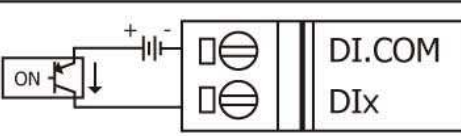
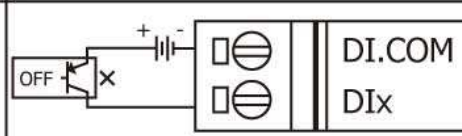
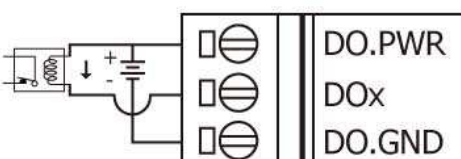
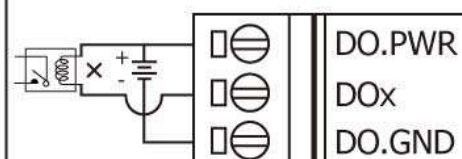
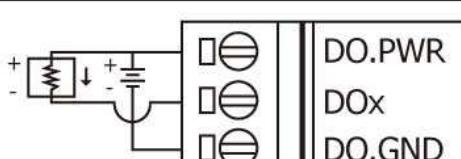

Digital Input & Digital Output Module	
<i>input Channels</i>	8 (Sink / Source)
<i>Input Type</i>	Isolated One Common for All Digital Inputs
<i>On State Voltage</i>	+3.5V~+50V
<i>OFF State Voltage</i>	+1V Max.
<i>Input Impedance</i>	10K Ohms, 0.66W
<i>Output Channel</i>	8
<i>Output Type</i>	Isolated Open-collector
<i>Max Load Current</i>	700mA/ channel
<i>Load Voltage</i>	5Vdc to 50Vdc
<i>LED Display</i>	1 LED as Power/ Communication Indicator 16 LEDs as Digital Input and Output Indicators
<i>Power Consumption</i>	0.8W
<i>4KV ESD Protection</i>	Yes, contact for each terminal

I-87054W Pin Assignment



Terminal No.	Pin Assignment Name
01	DI.COM
02	DI0
03	DI1
04	DI2
05	DI3
06	DI4
07	DI5
08	DI6
09	DI7
10	DO0
11	DO1
12	DO2
13	DO3
14	DO4
15	DO5
16	DO6
17	DO7
18	DO.GND
19	DO.GND
20	DO.PWR

I-87054W Wire Connection Type

Input Type	ON State LED ON Readback as 1	OFF State LED OFF Readback as 0
Relay Contact	Relay ON 	Relay Off 
TTL/CMOS Logic	Voltage < 1V 	Voltage > 3.5V 
NPN Output	Open Collector On 	Open Collector Off 
PNP Output	Open Collector On 	Open Collector Off 
Output Type	ON State LED ON Readback as 1	OFF State LED OFF Readback as 0
Drive Relay	Relay ON 	Relay Off 
Resistance Load		

I-87054W Internal I/O Structure

