

### Features

- 2x USB 3.0, 2x USB 2.0, and 1x USB client
- Supports DisplayPort and LVDS
- 1 SD card socket
- 2 PCIe Mini Card slots (one supports SATA)
- 2x LAN support
- Conforms to COM Express® Carrier Design Guide
- Power Supply: Smart Battery mode, adapter mode

### Specifications

#### Form Factor

Core module interface PICMG® COM Express® Revision 2.1  
Supports Type 10 modules in Mini form factor

Dimensions 150 mm x 142 mm

#### BIOS/Debug

POST LEDs Onboard diagnostics for BIOS POST code data and address on LPC bus

Secondary BIOS Onboard socket for secondary SPI flash

#### Audio

Audio Codec Realtek ALC262 on DB-Audio2 daughter board (optional)

Interface Line-in, Line-out, Mic-in on DB-Audio2 daughter board (optional)

#### Active Components

Audio Realtek audio codec

Digital I/O SMBus to GPIO bridge

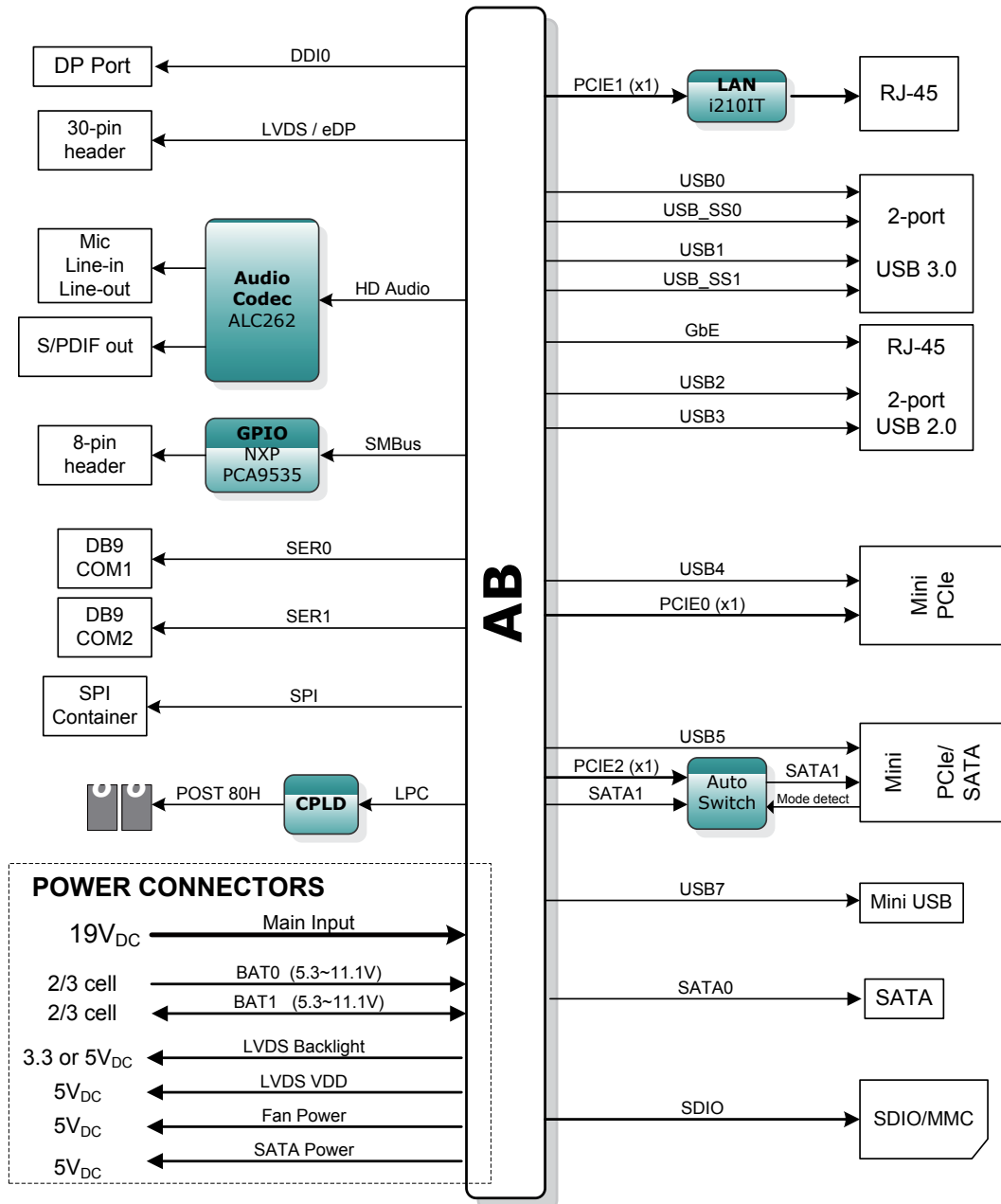
#### Connectors

Controller Dual Intel® GbE Controller I210-AT (NIC0 and NIC1)

### Mechanical and Environmental

|                    |   |
|--------------------|---|
| COM Express        | 1x 220-pin (Type 10)  |
| LVDS               | 1x onboard header   |
| Display Port       | 1x onboard header   |
| Audio              | Mic/Line-in/Line-out on I/O panel   |
| SATA               | 1x SATA connector   |
| PCIe Mini Card     | 2x onboard sockets (one supports SATA)  |
| LAN                | 2x LAN supports, 10/100/1000BASE-T compatible RJ-45 on I/O panel                                |
| USB                | 2x USB 3.0 on I/O panel<br>2x USB 2.0 on I/O panel<br>1x USB client                             |
| Serial Port        | 2x DB-9 on I/O panel  |
| SD card            | 1x socket onboard   |
| Smart Battery      | 1x 10-pin header for Smart Battery management communications (connects to ADLINK BattMan board) |
| GPIO               | GPIO 8-pin header   |
| Module control bus | SMBus, I <sup>2</sup> C   |
| Miscellaneous      | Reset button, Lid button, Sleep button, Power button, Power LED, HDD LED                        |

# Functional Diagram



## Ordering Information

### Modules

| Model Number | Description/Configuration                    |
|--------------|--|
| miniBASE-10R | COM Express® Type 10 Reference Carrier Board |

Note: All specifications are subject to change without further notice.