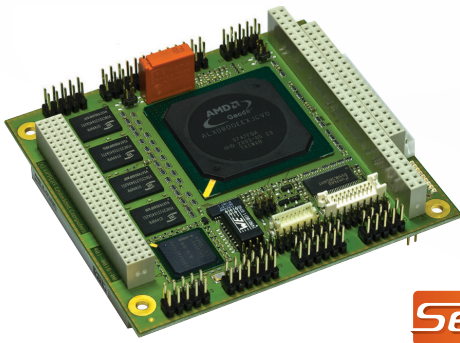


# Cool SpaceRunner-LX800 PC/104-Plus Single Board Computer with AMD® Geode™ LX800



## Features

- AMD® Geode™ LX800 Processor, 500 MHz, 256 MB soldered DDR SDRAM
- Graphics up to 1920 x 1440 pixels - VGA, TFT, LVDS, with backlight
- LAN, 4x USB 2.0
- 2x RS-232/422/485
- 2 GB Solid State Disk, IDE Ultra ATA100
- Extended temperature range: -40 °C to +85 °C

## Specifications

### Core System

CPU	AMD® Geode™ LX800 @0.9W
BIOS	Insyde Technology, BIOS parameters also saved in FEPROM
Memory	256 MB DDR400, soldered on board
Watchdog Timer	Yes
Status LEDs	HDD, power, standby, power mode, live, 3x Ethernet, watchdog
ISA Bus	PC/104
PCI Bus	PC/104-Plus, 3.3V compliant. Peripherals need their own 3.3V supply
Board Format	PC/104-Plus, 96 mm x 90 mm (3.775" x 3.550")
Core Logic	I/O companion: CS5536 Super I/O: ITE8712
I <sup>2</sup> C bus	Yes

### Video

LVDS Interface	Single channel, 18 and 24-bits, 1600 x 1200 pixels at 60 Hz max.
Graphics	- Integrated in Geode LX800 - Up to 254 MB video memory
VGA	VGA, 1920 x 1440 pixels at 85 Hz max.

### I/O Interfaces

USB	4x USB 2.0 host ports
Serial Ports	2x RS-232/422/485
LPT	Multi-Mode™ bi-directional Parallel
Solid State Disk	2 GB

### Ethernet

Speed	500 MHz
Ethernet	10/100 Mbit with Intel 82551IT

### Power

Power Consumption	< 5 watts
RTC Backup	Integrated Lithium battery
Power Supply	5 V ±5 %; all necessary voltages are generated onboard

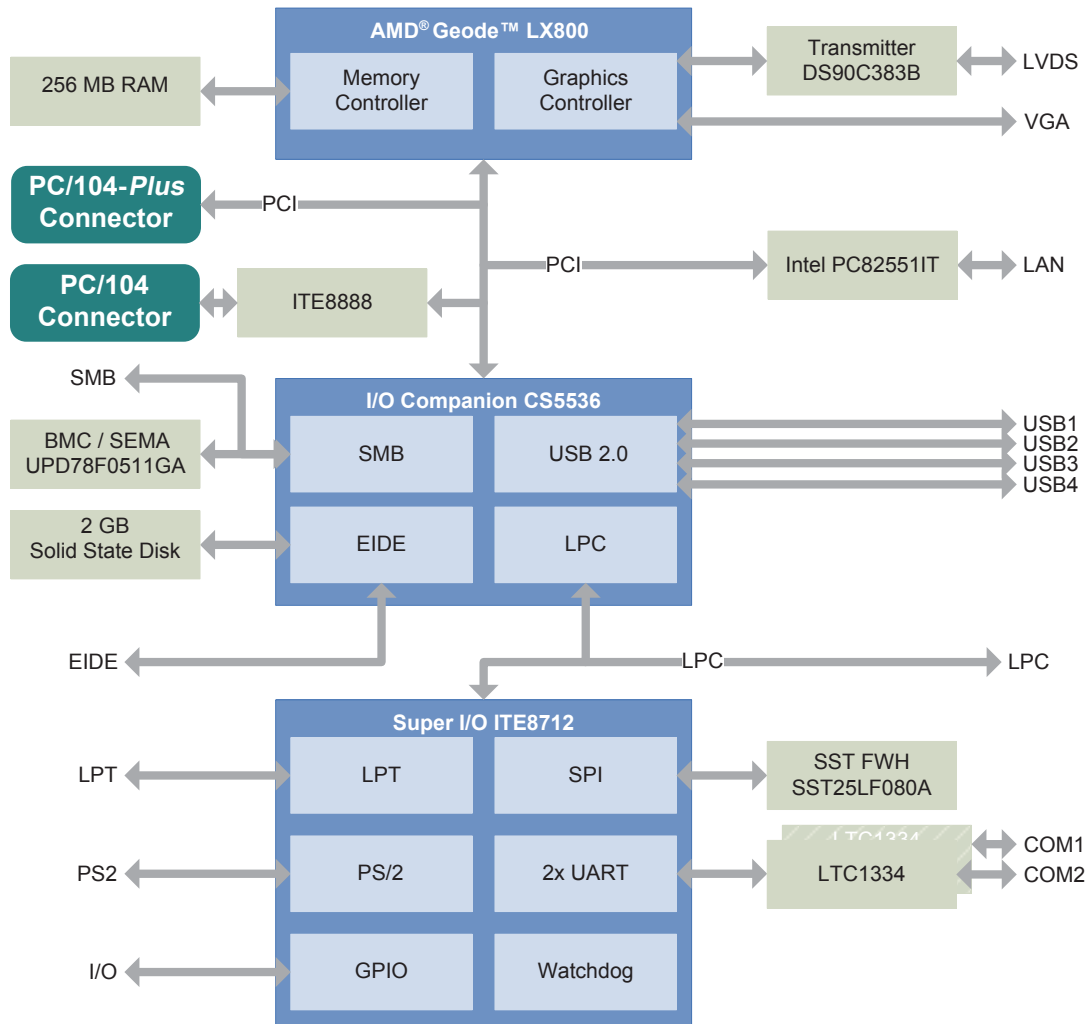
### Mechanical and Environmental

Operating Temperature	Standard: 0°C to +60°C (all versions)
	Industrial: -20°C to +60°C (all versions)
	Extended: -40°C to +85°C (optional)

### Operating Systems

Standard Support	Windows XP, XP Embedded
Extended Support (BSP)	Windows CE, Linux

## Functional Diagram



## Ordering Information

### Modules

Model Number	Description/Configuration
t03-0019-20	PC/104-Plus, CSR-LX800 CPU board with AMD® Geode™-LX800 @0.9W